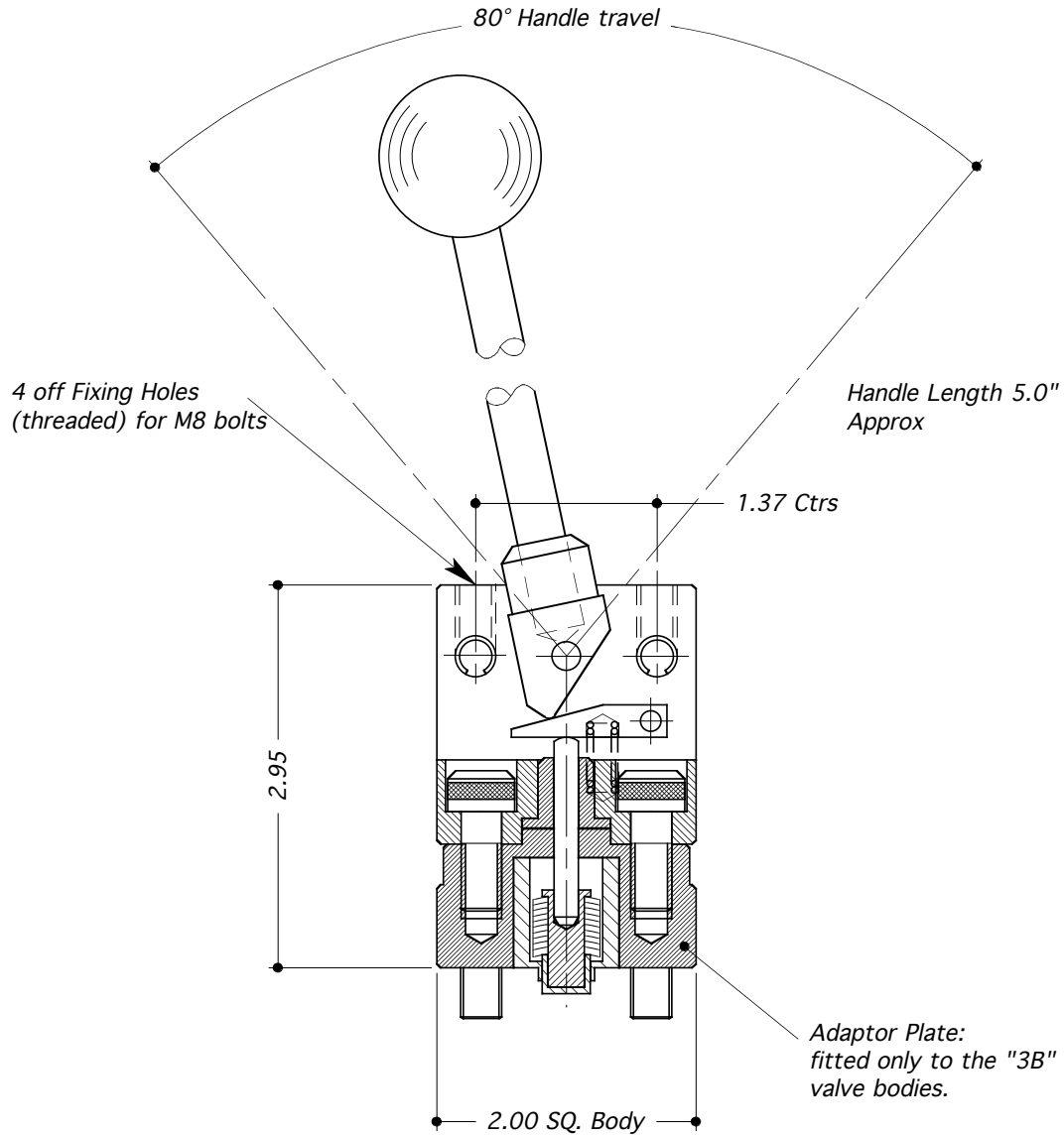


# MANUAL LEVER ACTUATOR TYPES: L, DL

- STAINLESS STEEL (316 / 1.4404)
- ALL DIMENSIONS IN INCHES.



TECHNICAL SPECIFICATION			ORDERING EXAMPLE
Actuator Type:	L	DL	L
Type "L"	Lever remains at limit of travel after operating		
Type "DL"	Lever returns to centre position after operating		
Dry Weight (kg)	1.5		
Working Temperature Range:	-10°C to +120°C		